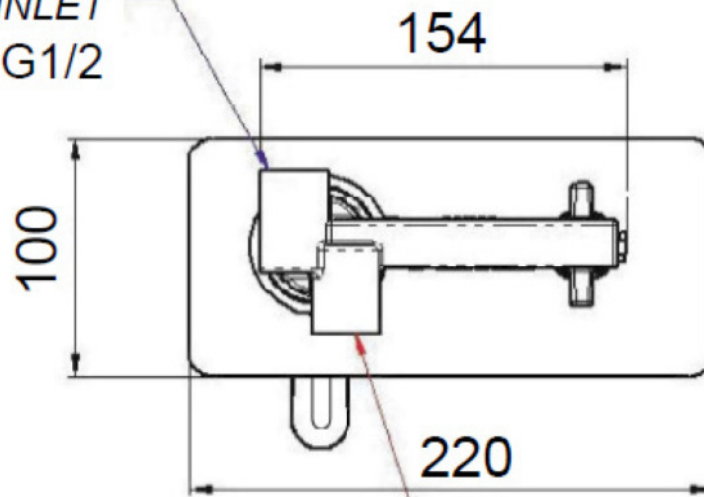


ENTRATA
ACQUA FREDDA
COLD WATER
INLET
G1/2



ENTRATA ACQUA CALDA
HOT WATER INLET
G1/2

