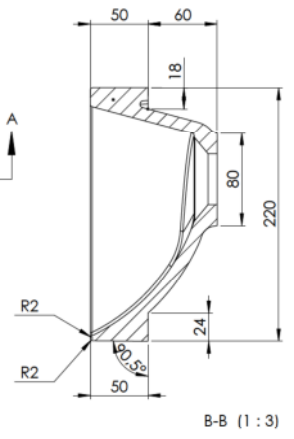
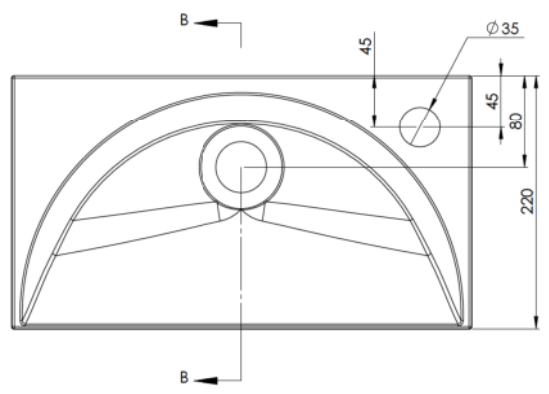
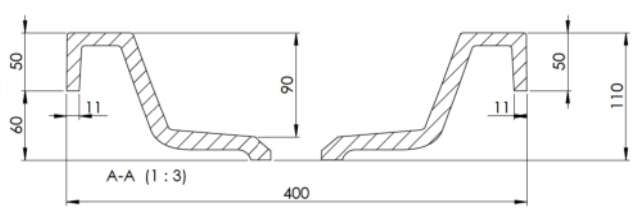
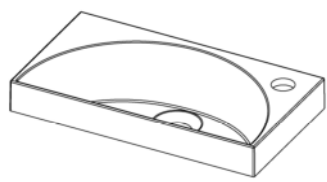


Rev	Design Change Note	Author	Date
001	First Issue	KW	2017-01-24



Grided As	Tolerances Length (mm)	Scale	
	+3/-0	1:5	
Title / Description			
MW A/Ler			
Dimensions 400 x 220 / 50			
Client ID	3603	Rev	1 (4)

This document must not be copied without our written permission. Any reproduction or distribution of this document without our written permission is strictly prohibited. Components will be protected.