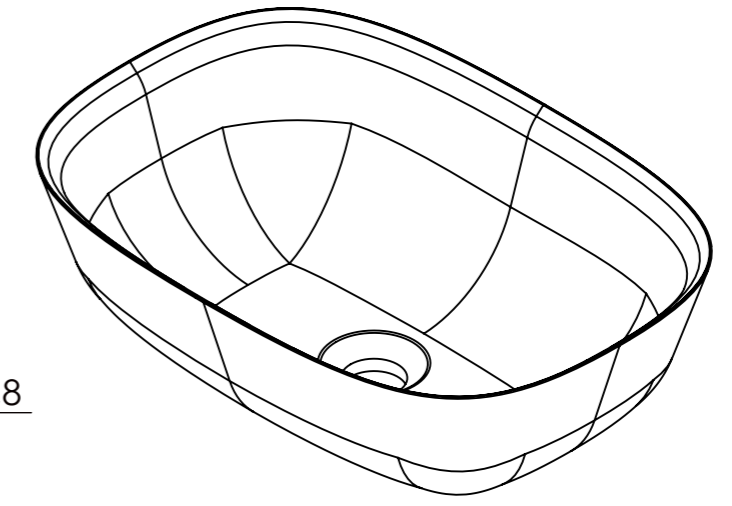
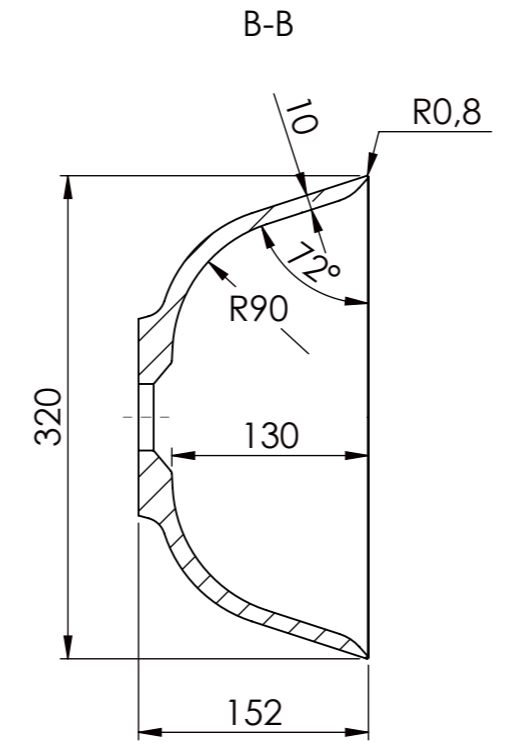
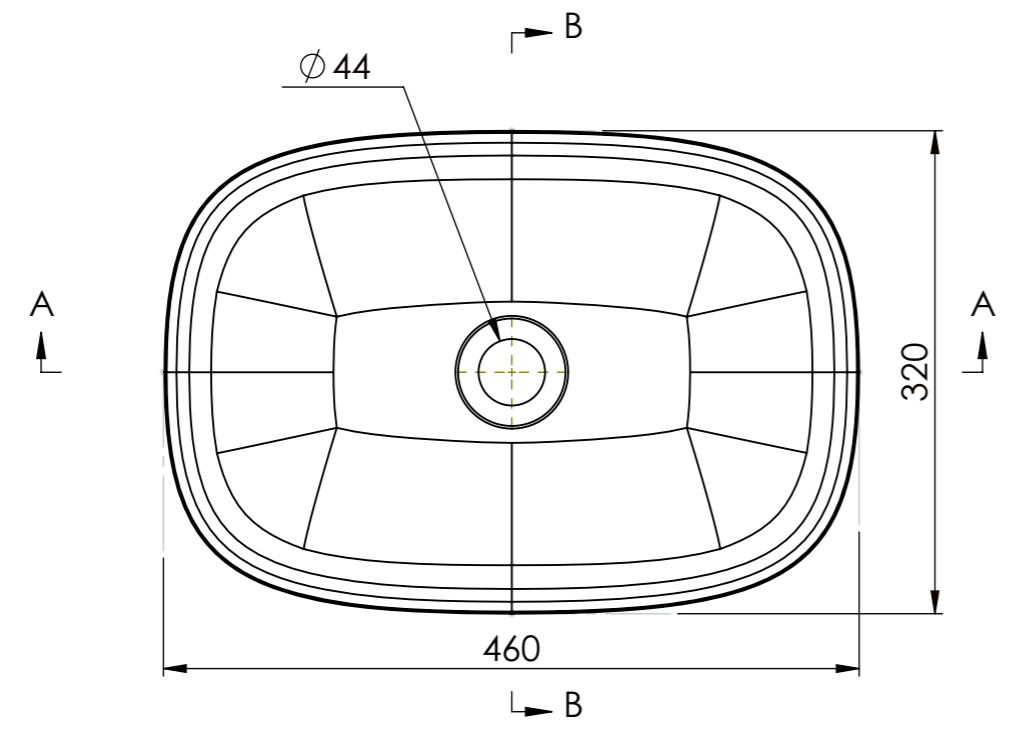
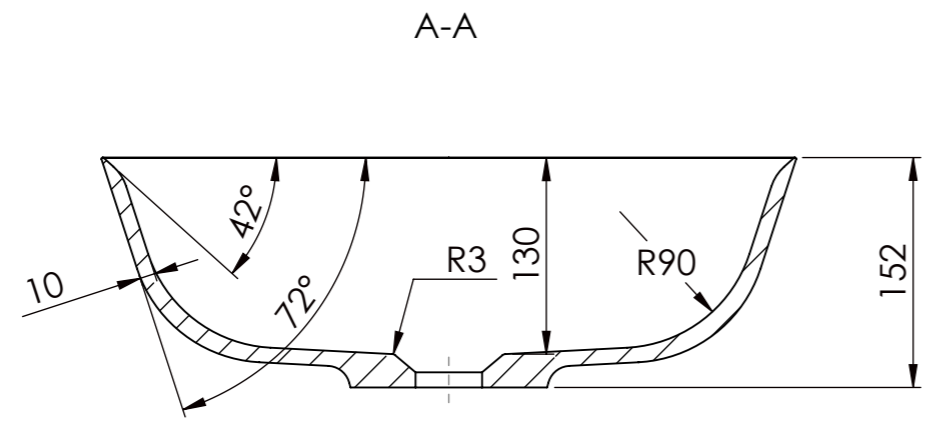
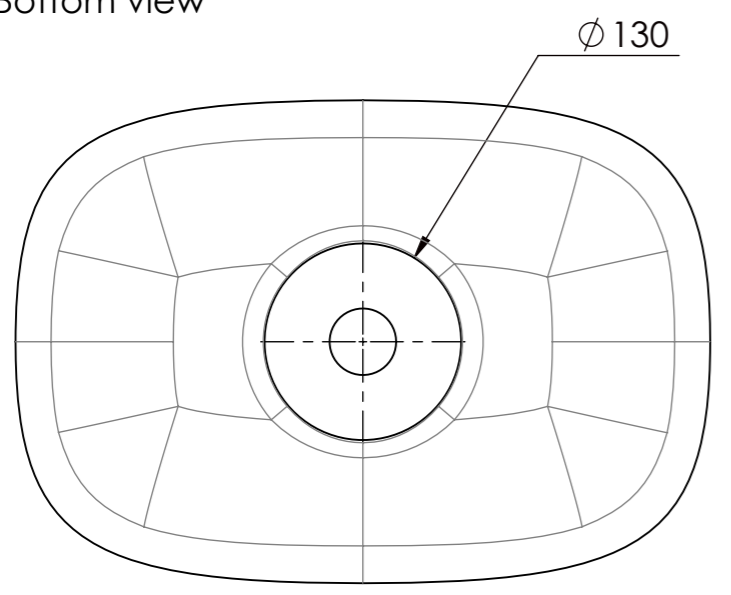


Rev	Design Change Note	Author	Date
001	First issue	KW	2017-01-24



Bottom view



Tolerance total	length	+3/0 mm	Drawn by	Created Date	Checked by	Art. Name: EIRA	Mould No: FD853051			
	width	+2/0 mm	Marta G	2015-11-24						
Tol. height side walls	height	+2/-2 mm	Project status	Client						
	≤25 mm	+1/-1 mm	Approved	WS WEINMANN	Material volume[mm³]	Overflow	Taphole	Main dimensions L x W / H [mm]	Drain	
Tolerance holes location	>25 mm	+2/-2 mm				2367318.81	No	0	460 x 320 / 152	Regular
Tolerance holes diameter	+1/-1 mm					Surface area[mm²]	Sheet Size	Scale	Current revision	
Tolerance plane bending	+1,5/-1,5 mm					441007.88	A3	1:5	001	

This document must not be copied without our written permission, and the contents thereof must not be imparted to a third party nor be used for any unauthorized purpose. Contravention will be prosecuted.